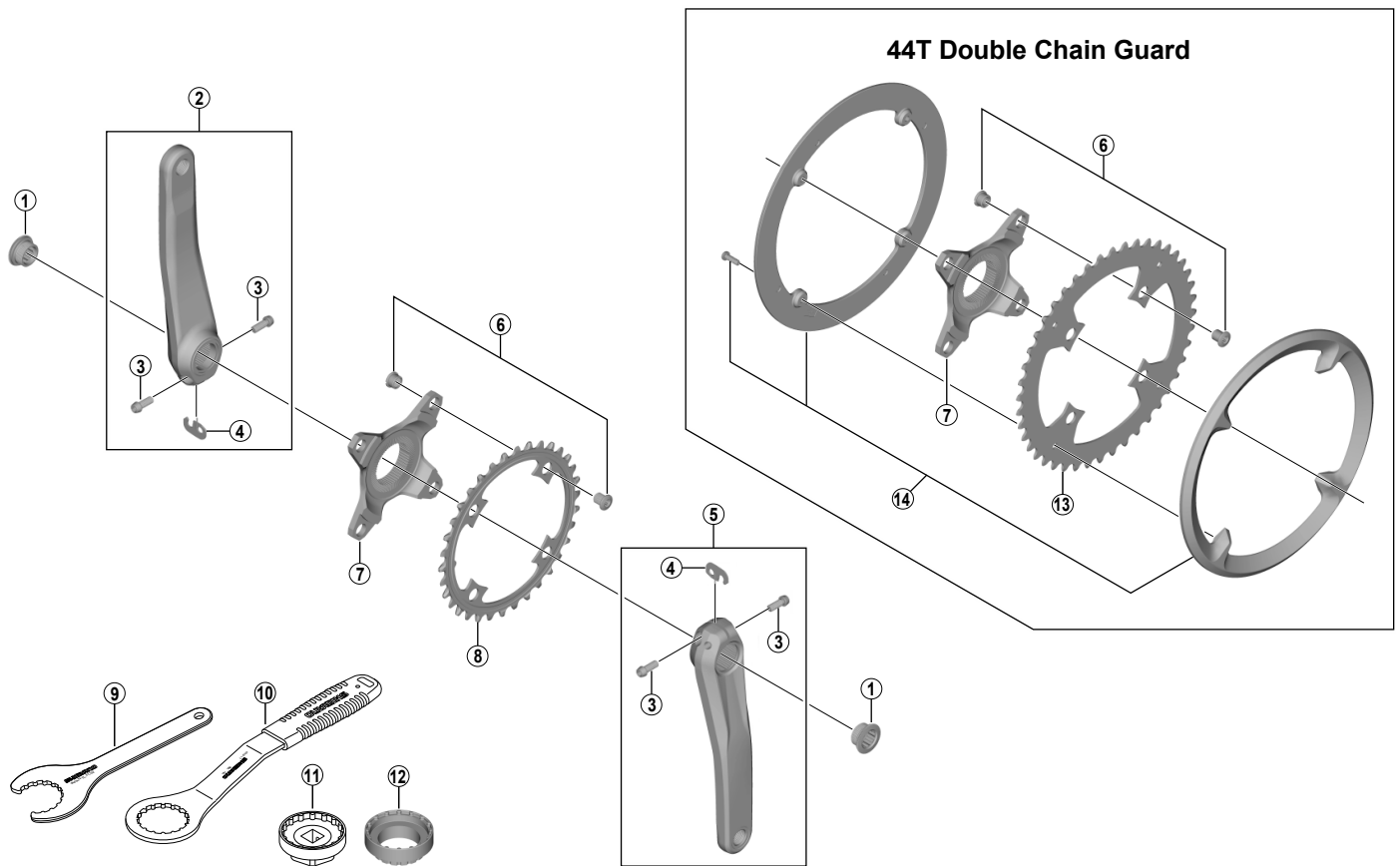


E8000 Series Crankset

FC-E8050 FC-E8000
SM-CRE80 SM-CRE80-B



ITEM NO.	SHIMANO CODE NO.	DESCRIPTION
1	Y1F811100	Crank Arm Fixing Bolt
2	Y1VW98010	Left Hand Crank Arm Unit 170 mm for FC-E8050
	Y1VW98020	Left Hand Crank Arm Unit 175 mm for FC-E8050
	Y1VX98010	Left Hand Crank Arm Unit 170 mm for FC-E8000
	Y1VX98020	Left Hand Crank Arm Unit 175 mm for FC-E8000
3	Y1KS98030	Clamp Bolt (M6 x 19) & Washer for FC-E8050
	Y1GS00030	Clamp Bolt (M6 x 19) for FC-E8000
4	Y1FU98120	Plate
5	Y1VW98030	Right Hand Crank Arm Unit 170 mm for FC-E8050
	Y1VW98040	Right Hand Crank Arm Unit 175 mm for FC-E8050
	Y1VX98030	Right Hand Crank Arm Unit 170 mm for FC-E8000
	Y1VX98040	Right Hand Crank Arm Unit 175 mm for FC-E8000
6	Y1VY98010	Gear Fixing Bolt (M8 x 8.5 / 1 Unit = 4 pcs.) & Nut (1 Unit = 4 pcs.)
	Y1VY00010	4 Arm Adapter (SM-CRE80)
7	Y1VY00020	4 Arm Adapter (SM-CRE80-B)
	Y1VY00030	Chainring 34T (SM-CRE80/SM-CRE80-B)
8	Y1VY00040	Chainring 38T (SM-CRE80/SM-CRE80-B)
	Y1VY00030	Chainring 34T (SM-CRE80/SM-CRE80-B)
9	Y13009210	TL-FC32 Adapter Tool
10	Y13098000	TL-FC36 Adapter Tool
11	Y13009230	TL-FC33 Adapter Tool
12	YEZY00016	TL-FC39 FC Installation Tool
13	Y1VY44000	Chainring 44T (SM-CRE80)
14	Y1VY98020	44T Double Chain Guard Unit

Feb.-2017-4068
 © Shimano Inc. I

Specifications are subject to change without notice.

SHIMANO